

ISB SOLA BASIC



REV: "A"

FLUORESCENT BALLAST SPECIFICATIONS

DESCRIPTION

CATALOG LW428-F-132-TP	TYPE Energy efficient magnetic	STARTING METHOD Rapid Start	NUMBER OF LAMPS 1	LAMP TYPE F25T8 & F32T8
----------------------------------	-----------------------------------	--------------------------------	----------------------	----------------------------

ELECTRICAL CHARACTERISTICS

INPUT VOLTAGE 120v	LAMP WATTS 25w / 32w	INPUT WATTS 33w	INPUT CURRENT 0.28 A	OCV 230v	PF 0.98	FREQUENCY 60 Hz	SOUND RATED A
MIN START TEMP 50°F / 10°C	CLASS P	TYPE 1 outdoor	BALLAST FACTOR 0.83	BEF 2.5151	THD 15%	NO PCB'S	

PHYSICAL CHARACTERISTICS

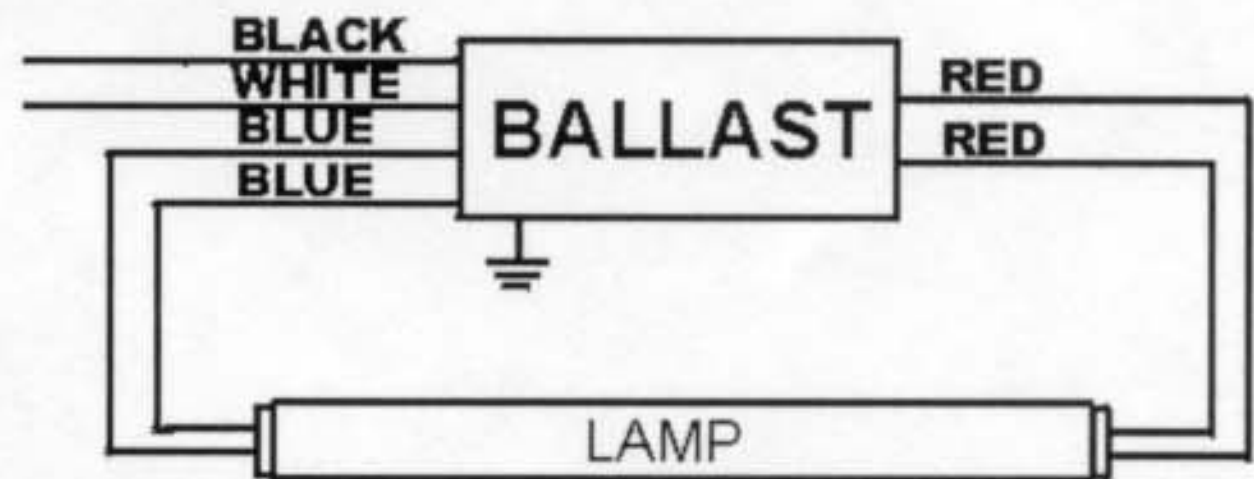
	CASE DIMENSIONS						
	UNITS	M1	M2	M3	W	L	H
	INCHES	1.687	8.906	8.344	2.375	9.5	1.5
	TOL(+/-)	0.010	0.010	0.010	0.050	0.050	0.050
	MM	43	226	212	60	241	38
	TOL(+/-)	0.25	0.25	0.25	1.30	1.30	1.30
	LEAD LENGTH						
UNITS	BLACK	WHITE	RED	BLUE			
INCHES	22	22	26	36			
TOL(+/-)	3/8	3/8	3/8	3/8			
MM	559	559	600	914			
TOL(+/-)	10	10	10	10			

CARTON CHARACTERISTICS

UNITS/CARTON 10	CARTONS/LAYER 12 & 4	# OF LAYERS 5 & 1	UNITS/PALLET 640	PIECE WEIGHT 3.5 lbs	CARTON WEIGHT 36 lbs	PALLET WEIGHT 2,337 lbs
CARTONS/PALLET 64	CARTON DIMENSIONS 12" x 12" x 4"	PALLET DIMENSIONS 40" x 48" x 7"	PALLET DIMENSIONS LOADED, INCLUDING WOOD PALLET 40" x 48" x 32"			

CARTON LABEL

ELECTRICAL DIAGRAM



PRODUCT LABEL

120 VOLT **0.28** AMP **230** OCV **60** HZ

FOR: 1-F25T8 or 1-F32T8

SOUND RATED **A**

3 YEAR WARRANTY

HIGH POWER FACTOR RAPID START BALLAST

LW428-F-132-TP

MINIMUM 10° C
MADE IN MEXICO

SOLA

GROUND BALLAST CASE
MOUNT LAMP WITHIN 1/2" OF
GROUNDED METAL REFLECTOR

Lighting and Power Source
2707 Realty Road, Suite 110
Carrollton, TX 75006
Tel: (888) 385-4448
Fax: (972) 418-5858