

FLUORESCENT BALLAST SPECIFICATIONS

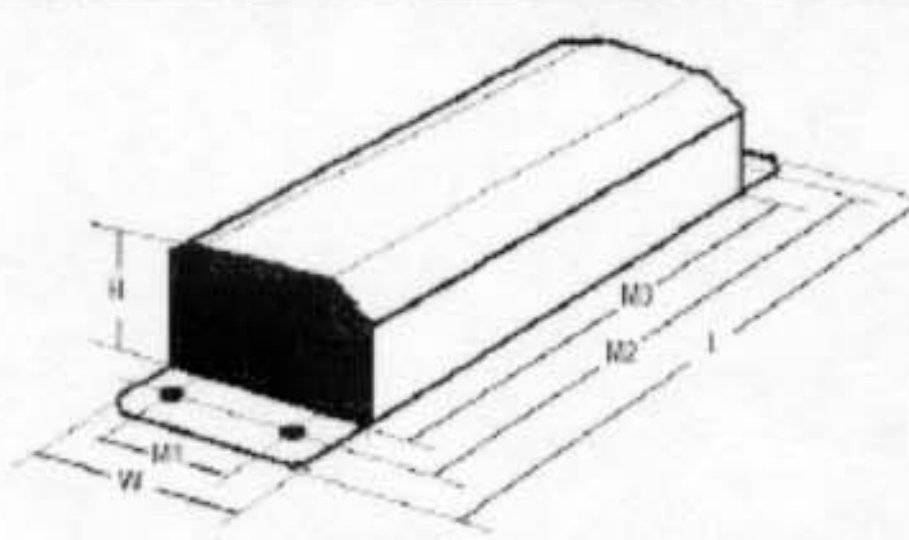
DESCRIPTION

CATALOG ERSF-140-TP	TYPE Normal Power Factor	STARTING METHOD Rapid Start	NUMBER OF LAMPS 1	LAMP TYPE F40T12
-------------------------------	-----------------------------	--------------------------------	----------------------	---------------------

ELECTRICAL CHARACTERISTICS

INPUT VOLTAGE 120v	LAMP WATTS 40w	INPUT POWER 31w	INPUT CURRENT 0.58 A	OCV 240v	PF NPF	FREQUENCY 60 Hz	SOUND RATED A
MIN START TEMP 50° F / 10° C	CLASS P	TYPE 1 outdoor	BALLAST FACTOR 0.52	BEF 1.6774	THD 20%	NO PCB'S	

PHYSICAL CHARACTERISTICS

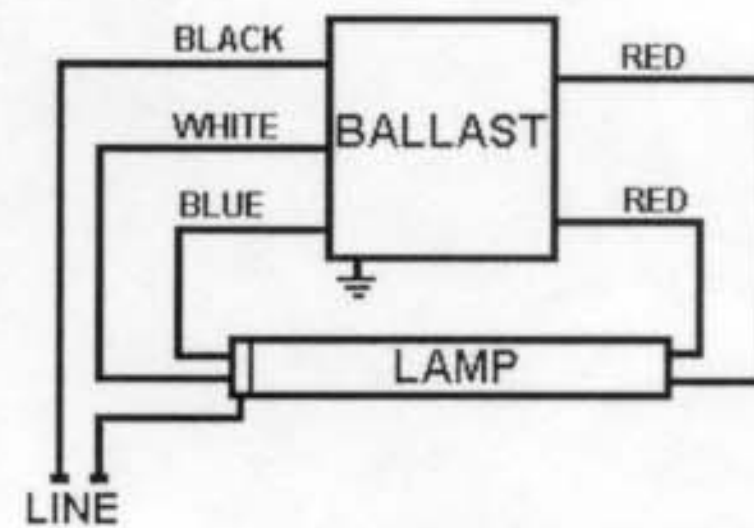
	CASE DIMENSIONS						
	UNITS	M1	M2	M3	W	L	H
	INCHES	N/A	6.00	5.275	1.937	6.50	1.375
	TOL(+/-)		0.010	0.010	0.050	0.050	0.150
	MM	N/A	153	134	49	165	35
	TOL(+/-)		0.25	0.25	1.30	1.30	3.80
LEAD LENGTH							
UNITS	BLACK	WHITE	RED	BLUE	YELLOW		
INCHES	12	30	36	30			
TOL(+/-)	3/8	3/8	3/8	3/8			
MM	304	762	914	762			
TOL(+/-)	10	10	10	10			

CARTON CHARACTERISTICS

UNITS/CARTON 16	CARTONS/LAYER 12	# OF LAYERS 5	UNITS/PALLET 960	PIECE WEIGHT 3.31 lbs	CARTON WEIGHT 38 lbs	PALLET WEIGHT 2,364 lbs
CARTONS/PALLET 60	CARTON DIMENSIONS 12" x 12" x 4"		PALLET DIMENSIONS 40" x 48" x 7"	PALLET DIMENSIONS LOADED INCLUDING WOOD PALLET 40" x 48" x 28"		

CARTON LABEL

ELECTRICAL DIAGRAM



PRODUCT LABEL



SOLA

120 VOLT 0.87 AMP 245 OCV 60 HZ RAPID START BALLAST

ERSF-140-TP

FOR: 1-F40T12 or 1-F30T12 or 1-FC12T9 or 1-FC16T9

SOUND RATED **A**

2 YEAR WARRANTY

CLASS P TYPE 1 OUTDOOR

MINIMUM 10° C MADE IN MEXICO

GROUND BALLAST CASE MOUNT LAMP WITHIN 1/2" OF GROUNDED METAL REFLECTOR

Lighting and Power Source
2707 Realty Road, Suite 110
Carrollton, TX 75006
Tel: (888) 385-4448
Fax: (972) 418-5858