

TECHNICAL SPECIFICATION SHEET

70 WATT, HPS S62, HX-HPF
BALLAST E-SZAXXX70, 60Hz

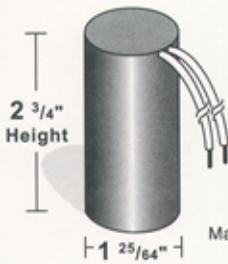
CAPACITOR

RATING 7 MFD±3%
280 VAC, MIN

Dry Film Capacitors
Thermal Plastic Case

Dry film capacitor contains
no oil; are furnished
with 12" leads and
includes discharge
resistor.

Max. case temp. 110°C

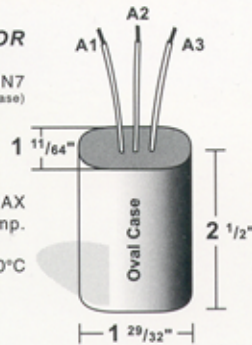


IGNITOR

33-63-AS-9.1 N7
(Thermal Plastic Case)

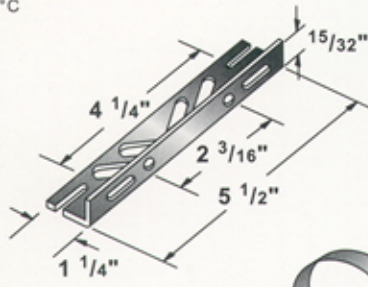
2 F.T. MAX
Distance to lamp.

Max. case temp. 110°C



BRACKET

CORE & COIL
MOUNTING BRACKET



KB39
Mounting bracket for
Core & Coil Ballasts
(1 bracket with thru bolts)

C-01

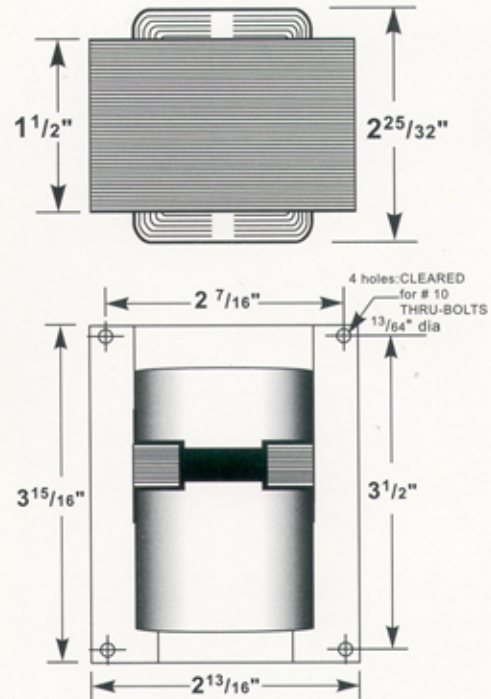
MOUNTING CLIP for round
case (Furnished as standard
with B suffix ballasts)

I-01

MOUNTING CLIP for oval
case (Furnished as standard
with B suffix ballasts)

CORE AND COIL

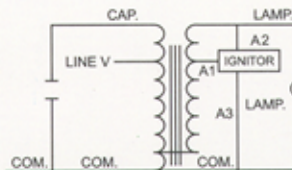
(3" x 4" CORE)



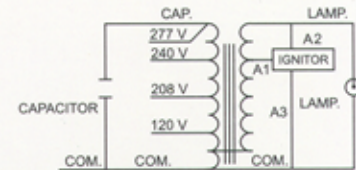
SOLA ballast leads wires are properly identified indicating
on their surfaces the input voltages. ALL LEAD LENGTHS:
12 INCHES

ELECTRICAL CHARACTERISTICS

INPUT VOLTAGE RANGE ±5%
POWER FACTOR HIGH
LAMP POWER REG. WITHIN TRAPEZOID
MIN. STARTING TEMP. -40°C



SINGLE VOLTAGE



MULTI VOLTAGE
120/208/240/277
VOLT CONNECTION



RU File No. E182278

Line Voltage	Catalog Number	Circuit Type	Input Watts	Line Current (AMPS)			Open Circuit Voltage	Drop Out Voltage	Fuse	Ballast Net Weight (lbs)	UL Bench Top Rise Code 1029
				Operating	Open Circuit	Starting					
120/277	E-SZA0FT70	HX-HPF	91	0.82/0.36	1.45/0.62	0.8/0.35	120	90/208	5/2	5.9	A
208	E-SZA00R70	HX-HPF	91	0.48	0.85	0.50	120	155	3	5.9	A
240	E-SZA00M70	HX-HPF	91	0.41	0.72	0.40	120	180	2	5.9	A
277	E-SZA00T70	HX-HPF	91	0.36	0.62	0.35	120	208	2	5.9	A
120 or	E-SZA00W70	HX-HPF	91	0.82	1.45	0.80	120	90	5	5.9	A
208 or		HX-HPF	91	0.48	0.85	0.50	120	155	3	5.9	
240 or		HX-HPF	91	0.41	0.72	0.40	120	180	2	5.9	
277		HX-HPF	91	0.36	0.62	0.35	120	208	2	5.9	

ORDERING INFORMATION

***Add proper suffix to catalog number when
ordering as indicated below:

No suffix= Core and Coil and Ignitor Only

B= Core and Coil, Ignitor and Bracket

C= Core and Coil, Ignitor and Capacitor

BC= Core and Coil, Ignitor, Capacitor and Bracket

Lighting & Power Source
2707 Realty Road, Suite 110
Carrollton, TX 75006
(888) 385-4448 Fax: (972) 418-5858
www.ballastsource.com
ISB@solaballast.com

ISB SOLA BASIC
BALLASTS

FEBVS70/00-0801