

TECHNICAL SPECIFICATION SHEET

150 WATT, HPS S55, HX-HPF BALLAST E-SZAXXX150, 60Hz

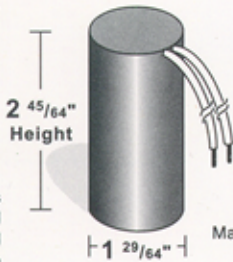
CAPACITOR

RATING 14 MFD±3%
280 VAC, MIN

Dry Film Capacitors
Thermal Plastic Case

Dry film capacitor contains no oil; are furnished with 12" leads and includes discharge resistor.

Max. case temp. 110°C

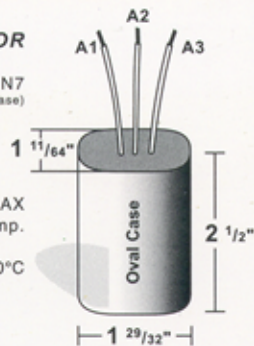


IGNITOR

37-63-AS-9.1 N7
(Thermal Plastic Case)

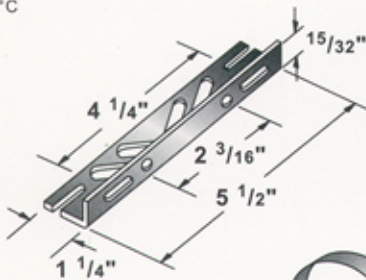
2 F.T. MAX
Distance to lamp.

Max. case temp. 110°C



BRACKET

CORE & COIL MOUNTING BRACKET



KB39
Mounting bracket for
Core & Coil Ballasts
(1 bracket with thru bolts)

C-01

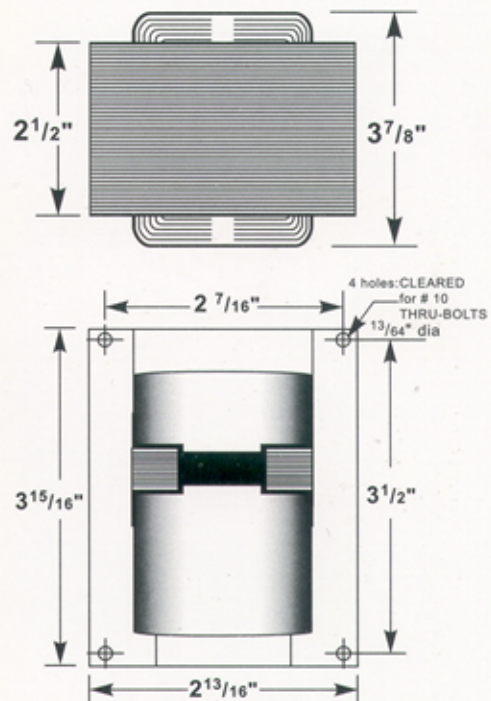
I-01

MOUNTING CLIP for round case
(Furnished as standard with B suffix ballasts)

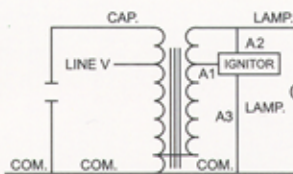
MOUNTING CLIP for oval case
(Furnished as standard with B suffix ballasts)

CORE AND COIL

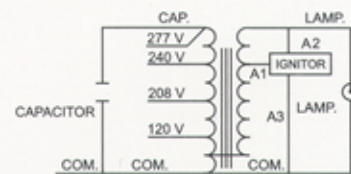
(3" x 4" CORE)



SOLA ballast leads wires are properly identified indicating on their surfaces the input voltages. ALL LEAD LENGTHS: 12 INCHES



SINGLE VOLTAGE



MULTI VOLTAGE
120/208/240/277
VOLT CONNECTION

ELECTRICAL CHARACTERISTICS

INPUT VOLTAGE RANGE ±5%
POWER FACTOR HIGH
LAMP POWER REG. WITHIN TRAPEZOID
MIN. STARTING TEMP. -40°C



File No. E182278

| Line Voltage | Catalog Number | Circuit Type | Input Watts | Line Current (AMPS) | | | Open Circuit Voltage | Drop Out Voltage | Fuse | Ballast Net Weight (lbs) | UL Bench Top Rise Code 1029 |
|--------------------------|----------------|--------------|-------------|---------------------|--------------|-----------|----------------------|------------------|------|--------------------------|-----------------------------|
| | | | | Operating | Open Circuit | Starting | | | | | |
| 120/277 | E-SZA0FT150 | HX-HPF | 188 | 1.66/0.72 | 2.81/1.25 | 1.80/0.80 | 120 | 96/222 | 10/4 | 8.0 | C |
| 208 | E-SZA00R150 | HX-HPF | 188 | 0.96 | 1.65 | 1.05 | 120 | 166 | 5 | 8.0 | B |
| 240 | E-SZA00M150 | HX-HPF | 188 | 0.83 | 1.45 | 0.86 | 120 | 192 | 5 | 8.0 | B |
| 277 | E-SZA00T150 | HX-HPF | 188 | 0.72 | 1.25 | 0.80 | 120 | 222 | 4 | 8.0 | B |
| 120 or 208 or 240 or 277 | E-SZA00W150 | HX-HPF | 188 | 1.66 | 2.81 | 1.80 | 120 | 96 | 10 | 8.0 | |
| | | HX-HPF | 188 | 0.96 | 1.65 | 1.05 | 120 | 166 | 5 | 8.0 | |
| | | HX-HPF | 188 | 0.83 | 1.45 | 0.86 | 120 | 192 | 5 | 8.0 | C |
| | | HX-HPF | 188 | 0.72 | 1.25 | 0.80 | 120 | 222 | 4 | 8.0 | |

ORDERING INFORMATION

***Add proper suffix to catalog number when ordering as indicated below:

No suffix= Core and Coil and Ignitor Only

B= Core and Coil, Ignitor and Bracket

C= Core and Coil, Ignitor and Capacitor

BC= Core and Coil, Ignitor, Capacitor and Bracket

Lighting & Power Source
2707 Realty Road, Suite 110
Carrollton, TX 75006
(888) 385-4448 Fax: (972) 418-5858
www.ballastsource.com
ISB@solaballast.com

ISB SOLA BASIC
BALLASTS

FEBVS150/00-0801