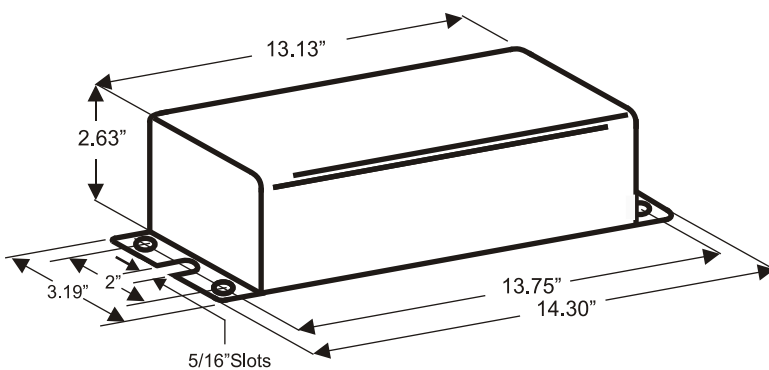


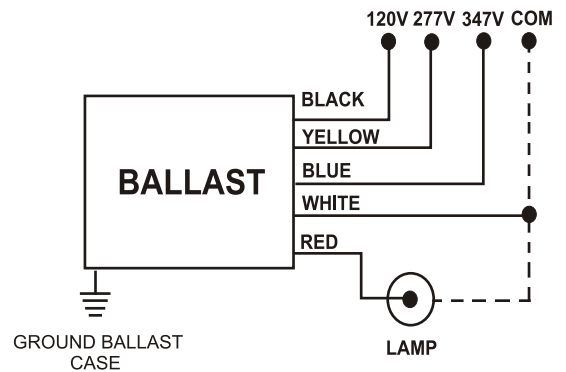
CATALOG NUMBER: E-MCAFTJ250F FOR ONE 250 WATT, M58 METAL HALIDE LAMP

| | |
|-----------------------------|------------------|
| Line Voltage | 120/277/347V |
| Regulation | |
| Line Volts | +/-10% |
| Lamp Watts | +/-10% |
| Frequency | 60 Hz |
| Circuit Type | CWA |
| Power Factor (min) | 90% |
| Insulation Class | A(105°) |
| Min. Ambient Starting Temp. | -20° F or -30° C |

| | | | |
|-----------------------------------|-----------|-----------|-----------|
| Line Voltage (Volts) | 120 | 277 | 347 |
| Line Current (Amps) | | | |
| Operating | 2.60 | 1.10 | 0.87 |
| Open Circuit | 2.40 | 1.05 | 0.82 |
| Starting | 1.50 | 0.67 | 0.53 |
| Input Watts (W) | 295 | 295 | 295 |
| Open Circuit Voltage (V) | 310 | 310 | 310 |
| Drop Out Voltage | 66 | 155 | 192 |
| UL(1029) Bench Top Rise | A | A | A |
| Recommended Fuse (Amps) | 8 | 4 | 3 |
| HIGH POTENTIAL TEST (VOLTS) | | | |
| 1 Minute | 2000 | | |
| 2 Seconds | 2500 | | |
| Open Circuit Voltage Test(volts) | 280-340 | | |
| Short-Circuit Current Test (Amps) | | | |
| Secondary Current | 2.15-2.65 | | |
| Input Current | | 1.85-0.95 | 0.80-0.40 |
| | | | 0.65-0.31 |



WIRING DIAGRAM



| | |
|-----------------------|------|
| Weight (lbs) | 15.5 |
| Lead Lengths (inches) | 12 |
| Sound Rating | C |

Data is based upon tests performed by Industrias Sola Basic in a controlled environment and representative of relative performance. Actual Performance can vary depending on operating conditions. Specifications are subject to change without notice.



Lighting & Power Source LP.
2707 Realty Road, Suite 110
Carrollton, TX 75006 USA
Tel: (972) 416-4500
Fax: (972) 418-5858

Made in Mexico by Industrias Sola Basic S.A de C.V.

FBAM00-0801