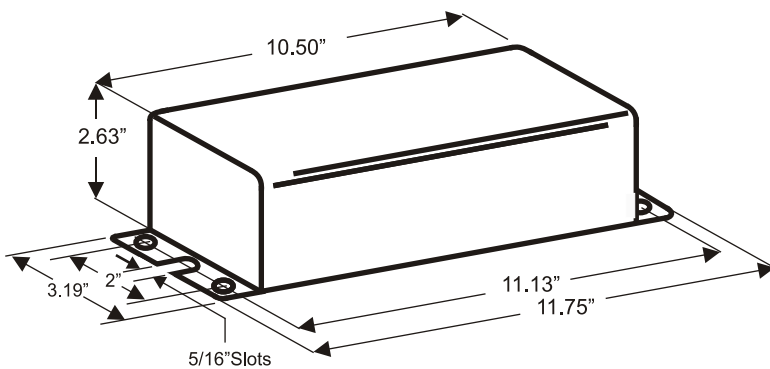


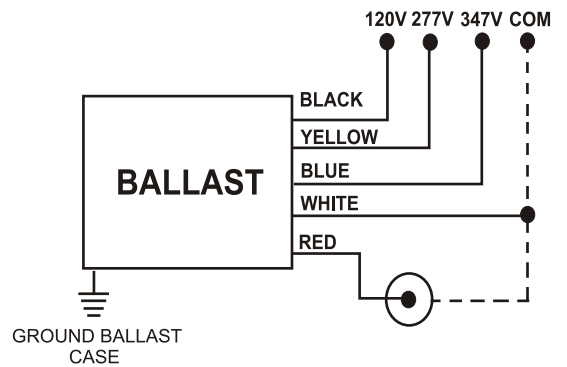
## CATALOG NUMBER: E-MCAFTJ175F FOR ONE 175 WATT, M57 METAL HALIDE LAMP

Line Voltage	120/277/347V
Regulation	
Line Volts	+/-10%
Lamp Watts	+/-10%
Frequency	60 Hz
Circuit Type	CWA
Power Factor (min)	90%
Insulation Class	A(105°)
Min. Ambient Starting Temp.	-20° F or -30° C

Line Voltage (Volts)		120	277	347
Line Current (Amps)				
Operating		1.75	0.75	0.62
Open Circuit		1.75	0.75	0.62
Starting		1.09	0.48	0.38
Input Watts (W)		205	205	205
Open Circuit Voltage (V)		310	310	310
Drop Out Voltage		66	152	192
UL(1029) Bench Top Rise		A	A	A
Recommended Fuse (Amps)		5	3	2
HIGH POTENTIAL TEST (VOLTS)				
1Minute	2000			
2 Seconds	2500			
Open Circuit Voltage Test(volts)	280-340			
Short-Circuit Current Test (Amps)				
Secondary Current	1.5-1.80			
Input Current		0.70-	0.30-	0.20-
		1.15	0.50	0.40



### WIRING DIAGRAM



Weight (lbs)	13
Lead Lengths (inches)	12
Sound Rating	B

Data is based upon tests performed by Industrias Sola Basic in a controlled environment and representative of relative performance. Actual Performance can vary depending on operating conditions. Specifications are subject to change without notice.

Made in Mexico by Industrias Sola Basic S.A de C.V.



Lighting & Power Source LP.  
2707 Realty Road, Suite 110  
Carrollton, TX 75006 USA  
Tel: (972) 416-4500  
Fax: (972) 418-5858