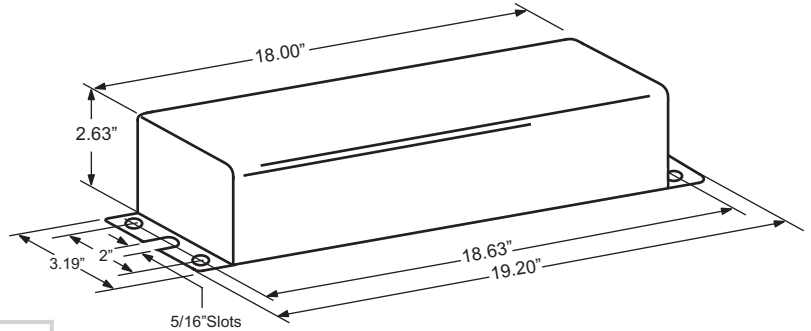


CATALOG NUMBER: E-MCA0FT400F FOR ONE 400 WATT, M59 METAL HALIDE LAMP

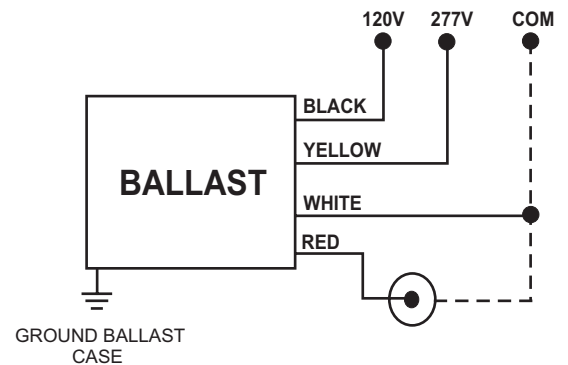
Line Voltage	120/277V
Regulation	
Line Volts	+/- 10%
Lamp Watts	+/-10%
Frequency	60 Hz
Circuit Type	CWA
Power Factor (min)	90%
Insulation Class	A(105°)
Min. Ambient Starting Temp.	-20° F or -30° C



Line Voltage (Volts)	120	277
Line Current (Amps)		
Operating	3.90	1.70
Open Circuit	3.00	1.31
Starting	2.84	1.20
Input Watts (W)	460	460
Open Circuit Voltage (V)	300	300
Drop Out Voltage (V)	66	152
UL(1029) Bench Top Rise		
Recommended Fuse (Amps)	10	5
HIGH POTENTIAL TEST (VOLTS)		
1Minute	2000	
2 Seconds	2500	
Open Circuit Voltage Test(volts)	270-330	
Short-Circuit Current Test (Amps)		
Secondary Current	3.30 - 4.0	
Input Current (Amps)	2.15 -	0.90 -
	3.15	1.35

Weight (Lbs)	22.50
Lead lengths (Inches)	12.00
Sound rating	C

WIRING DIAGRAM



120/277 VOLT CONNECTION

Data is based upon tests performed by Industrias Sola Basic in a controlled environment and representative of relative performance. Actual Performance can vary depending on operating conditions. Specifications are subject to change without notice.

