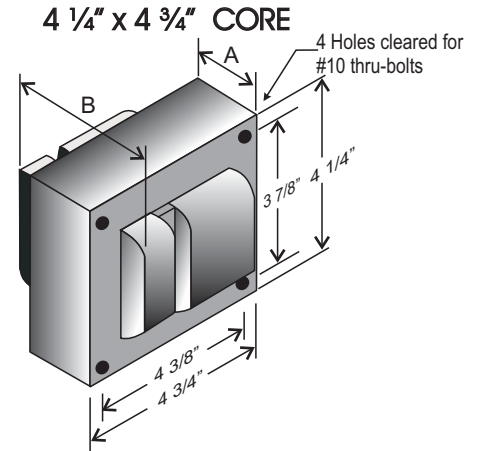


CATALOG NUMBER: E-MCA0DD451 FOR ONE 450 WATT, M144 METAL HALIDE PULSE START LAMP

Line Voltage	480V
Regulation	
Line Volts	+/-10%
Lamp Watts	+/-10%
Frequency	60 Hz
Circuit Type	CWA
Power Factor (min)	90%
Insulation Class	H(180°)
Min. Ambient Starting Temp.	-20° F or -30° C

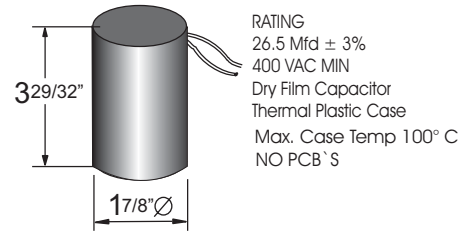
Line Voltage (Volts)	480
Line Current (Amps)	1.10
Operating	0.85
Open Circuit	0.70
Starting	0.70
Input Watts (W)	505
Open Circuit Voltage (V)	275
Drop Out Voltage (V)	240
UL(1029) Bench Top Rise	C
Recommended Fuse (Amps)	3
HIGH POTENTIAL TEST (VOLTS)	
1 Minute	2000
2 Seconds	2500
Open Circuit Voltage Test(volts)	254-310
Short-Circuit Current Test (Amps)	
Secondary Current	4.1 - 4.7
Input Current (Amps)	0.60 - 0.75



CORE AND COIL

Dimension A (inches)	2.50
Dimension B (inches)	4.25
Weight (Lbs)	16.00
Lead Lengths (inches)	12

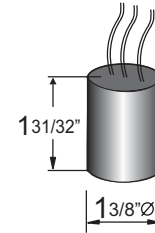
CAPACITOR



IGNITOR 37-63-AS-6.9-N7

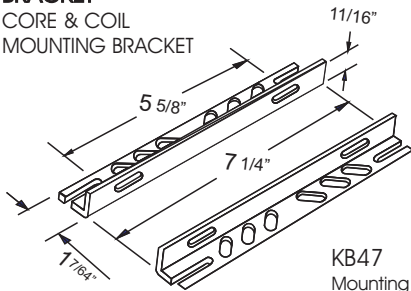
Ballast to Lamp Distance (BTL): 2 feet

(THERMAL PLASTIC CASE)
Max. case Temp: 110° C



BRACKET

CORE & COIL
MOUNTING BRACKET



KB47

Mounting bracket for
Core & Coil Ballasts
(2 brackets with thru bolts)



C-01

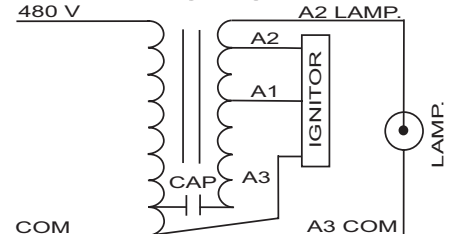
MOUNTING CLIP for round
case (Furnished as standard
with B suffix ballast)



I-01

MOUNTING CLIP for round
case (Furnished as standard
with B suffix ballast)

WIRING DIAGRAM



480 VOLT CONNECTION

ORDERING INFORMATION

*** Add proper suffix to catalog number when ordering as indicated below:

No suffix = Core and Coil Only

B= Core and Coil, and Bracket

C=Core and Coil, and Capacitor

BC=Core and Coil, Capacitor and Bracket

Data is based upon tests performed by Industrias Sola Basic in a controlled environment and representative of relative performance. Actual Performance can vary depending on operating conditions. Specifications are subject to change without notice.

ISO 9001:2000



Made in Mexico by Industrias Sola Basic S.A de C.V.