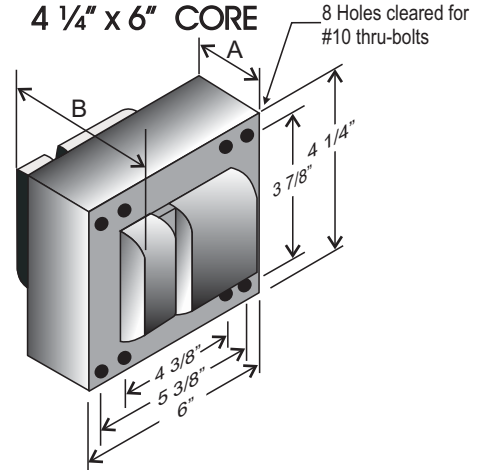


CATALOG NUMBER: E-MCA00W4002S FOR TWO 400 WATT, M59 METAL HALIDE LAMPS

Line Voltage	120/208/240/277V
Regulation	
Line Volts	+/-10%
Lamp Watts	+/-10%
Frequency	60 Hz
Circuit Type	CWA
Power Factor (min)	90%
Insulation Class	H(180°)
Min. Ambient Starting Temp.	-20° F or -30° C

Line Voltage (Volts)	120	208	240	277
Line Current (Amps)				
Operating	7.9	4.5	3.95	3.4
Open Circuit	5.7	3.3	3.0	2.6
Starting	6.2	3.6	3.1	2.68
Input Watts (W)	880	880	880	880
Open Circuit Voltage (V)	630	630	630	630
Drop Out Voltage (V)	55	95	110	130
UL(1029) Bench Top Rise	E	D	D	D
Recommended Fuse (Amps)	20	10	10	8

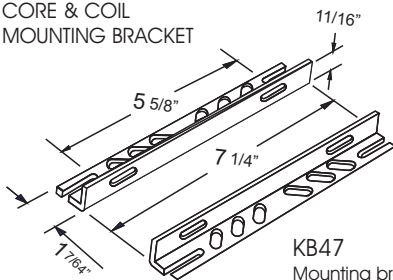
HIGH POTENTIAL TEST (VOLTS)				
1 Minute	2000			
2 Seconds	2500			
Open Circuit Voltage Test (volts)	580-685			
Short-Circuit Current Test (Amps)				
Secondary Current	3.6 - 4.3			
Input Current (Amps)		4.85 - 6.8	2.85 - 3.95	2.40 - 3.45
				2.1 - 3.0



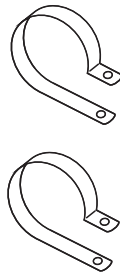
CORE AND COIL

Dimension A (inches)	3.40
Dimension B (inches)	5.30
Weight (Lbs)	26.00
Lead Lengths (inches)	12

BRACKET CORE & COIL MOUNTING BRACKET

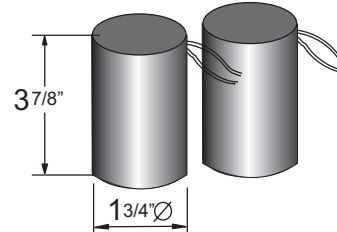


KB47
Mounting bracket for
Core & Coil Ballasts
(2 brackets with thru bolts)



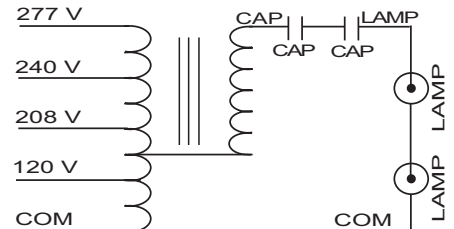
C-01
MOUNTING CLIPS for round
cases (Furnished as standard
with B suffix ballast)

2 CAPACITOR SET



RATING
11.5 Mfd ± 3%
800 VAC MIN
Dry Film Capacitors
Thermal Plastic Cases
Max. Case Temp 100° C
NO PCB'S

WIRING DIAGRAM



120/208/240/277 VOLT CONNECTION

ORDERING INFORMATION

*** Add proper suffix to catalog number when ordering as indicated below:

- No suffix = Core and Coil Only
- B = Core and Coil, and Bracket
- C = Core and Coil, and Capacitor
- BC = Core and Coil, Capacitor and Bracket

Data is based upon tests performed by Industrias Sola Basic in a controlled environment and representative of relative performance. Actual Performance can vary depending on operating conditions. Specifications are subject to change without notice.

ISO 9001:2000



Made in Mexico by Industrias Sola Basic S.A de C.V.