

## CATALOG NUMBER: E-MCA00W325

### FOR ONE 320 WATT, M132 OR 350 WATT, M131 METAL HALIDE LAMP (PULSE START)

Line Voltage	120/208/240/277
Regulation	+/-10%
Frequency	60 Hz
Circuit Type	CWA
Insulation Class	H(180°)
Min. Ambient Starting Temp.	- 20° C

### ELECTRICAL CHARACTERISTICS

Line Voltage	120	208	240	277
Line Current (Amps)				
Operating	3.4	2.0	1.70	1.50
Open Circuit	3.0	1.80	1.50	1.30
Starting	1.95	1.10	0.95	0.85
Input Watts (W)	400	400	400	400
Open Circuit Voltage (V)	270	270	270	270
Drop Out Voltage	57	98	114	131
UL(1029) Bench Top Rise	D	C	C	C
Recommended Fuse (Amps)	10	7	5	5

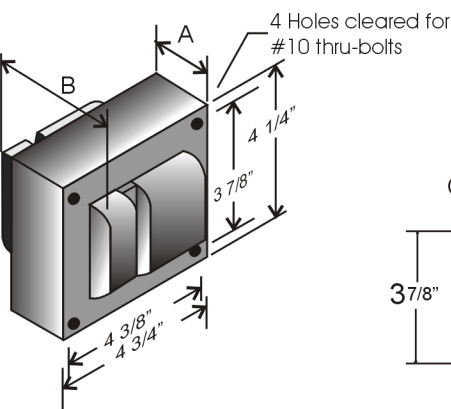
### CORE AND COIL

Dimension A (inches)	1.80			
Dimension B (inches)	3.70			
Weight (lbs)	11.80			
Lead Lengths (inches)	12			

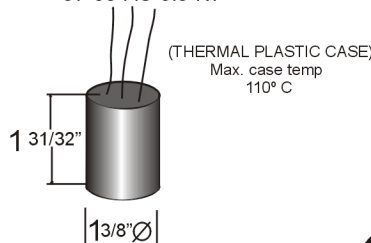
### CAPACITOR REQUIREMENTS

Microfarad (Min volt)	21.7 Mfd, 350 VAC			
-----------------------	-------------------	--	--	--

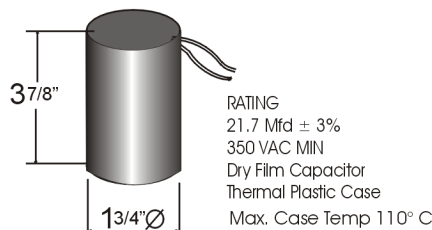
### 4 1/4" x 4 3/4" CORE



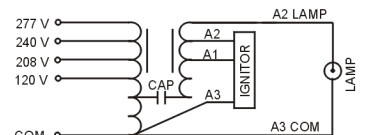
### IGNITOR 37-63-AS-6.9 N7



### CAPACITOR



### WIRING DIAGRAM



MULTI VOLTAGE  
120/208/240/277 VOLT CONNECTION

CERT. No.  
006281



ISO 9001



Lighting Source  
2707 Realty Road, Suite 110  
Carrollton, TX 75006  
Tel: (888) 385-4448  
Fax: (972)