

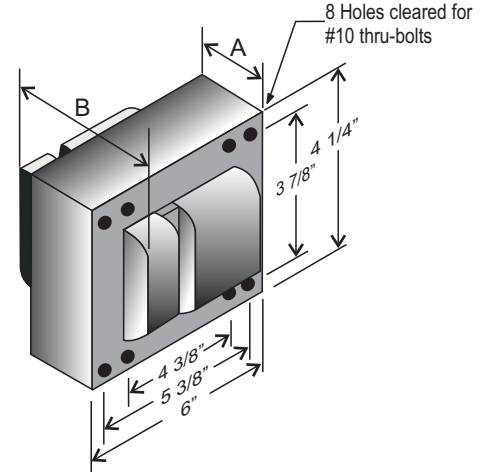
CATALOG NUMBER: E-MCA00W1500 FOR ONE 1500 WATT, M48 METAL HALIDE LAMP

Line Voltage	120/208/240/277V
Regulation	
Line Volts	+/-10%
Lamp Watts	+/-10%
Frequency	60 Hz
Circuit Type	CWA
Power Factor (min)	90%
Insulation Class	H(180°)
Min. Ambient Starting Temp.	-20° F or -30° C

Line Voltage (Volts)	120	208	240	277
Line Current (Amps)				
Operating	13.5	7.8	6.75	5.85
Open Circuit	9.11	5.1	4.5	4.20
Starting	9.12	5.2	4.6	3.80
Input Watts (W)	1605	1605	1605	1605
Open Circuit Voltage (V)	435	435	435	435
Drop Out Voltage (V)	80	138	160	185
UL(1029) Bench Top Rise	G	D	D	E
Recommended Fuse (Amps)	40	25	20	20

HIGH POTENTIAL TEST (VOLTS)	
1 Minute	2000
2 Seconds	2500
Open Circuit Voltage Test(volts)	400-490
Short-Circuit Current Test (Amps)	
Secondary Current	7.2 - 8.6
Input Current (Amps)	7.5 - 10.5 4.25 - 6.0 3.5 - 5.25 3.0 - 4.6

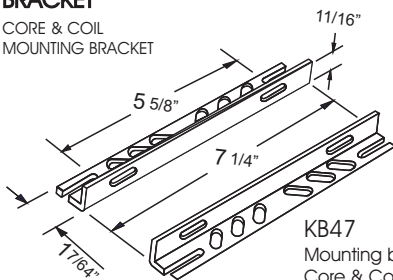
4 1/4" x 6" CORE



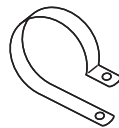
CORE AND COIL

Dimension A (inches)	4.10
Dimension B (inches)	6.10
Weight (Lbs)	30.00
Lead Lengths (inches)	12

BRACKET CORE & COIL MOUNTING BRACKET

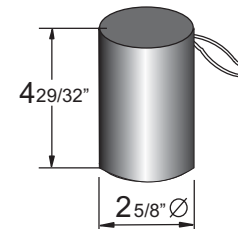


KB47
Mounting bracket for
Core & Coil Ballasts
(2 brackets with thru bolts)



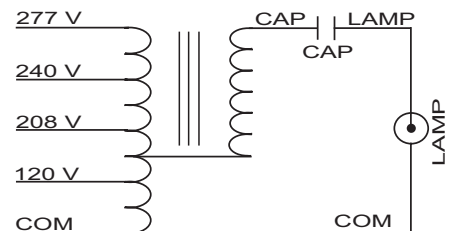
C-01
MOUNTING CLIP for round
case (Furnished as standard
with B suffix ballast)

CAPACITOR



RATING
32 Mfd ± 3%
525 VAC MIN
Dry Film Capacitor
Thermal Plastic Case
Max. Case Temp 100° C
NO PCB'S

WIRING DIAGRAM



120/208/240/277 VOLT CONNECTION

ORDERING INFORMATION

*** Add proper suffix to catalog number when ordering as indicated below:

- No suffix = Core and Coil Only
- B = Core and Coil, and Bracket
- C = Core and Coil, and Capacitor
- BC = Core and Coil, Capacitor and Bracket

Data is based upon tests performed by Industrias Sola Basic in a controlled environment and representative of relative performance. Actual Performance can vary depending on operating conditions. Specifications are subject to change without notice.

ISO 9001:2000



Made in Mexico by Industrias Sola Basic S.A de C.V.