

TECHNICAL SPECIFICATION SHEET

150 WATT, HPS S55 CWA
BALLAST E-971-XX-SO150 60Hz

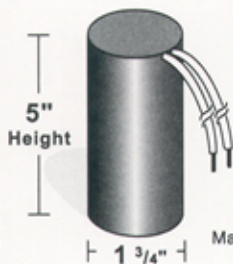
CAPACITOR

RATING 55 MFD±3%
170 VAC, MIN

Dry Film Capacitors
Thermal Plastic Case

Dry film capacitor contains no oil; are furnished with 12" leads and includes discharge resistor.

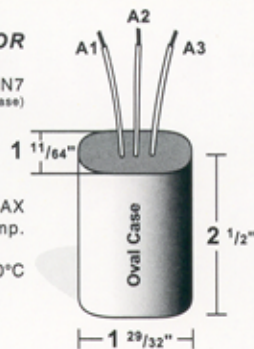
Max. case temp. 110°C



IGNITOR

37-63-AS-9.1 N7
(Thermal Plastic Case)

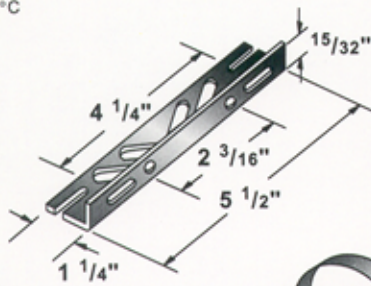
2 F.T. MAX
Distance to lamp.
Max. case temp. 110°C



BRACKET

CORE & COIL
MOUNTING BRACKET

KB39
Mounting bracket for
Core & Coil Ballasts
(1 bracket with thru bolts)



C-01

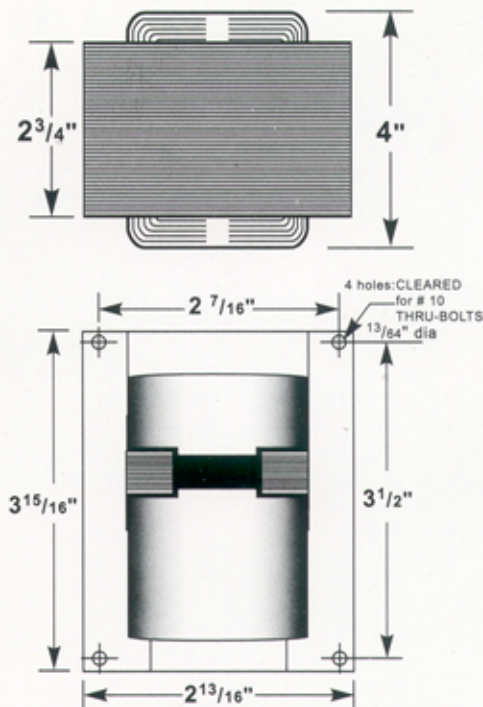
MOUNTING CLIP for round case
(Furnished as standard with B suffix ballasts)

I-01

MOUNTING CLIP for oval case
(Furnished as standard with B suffix ballasts)

CORE AND COIL

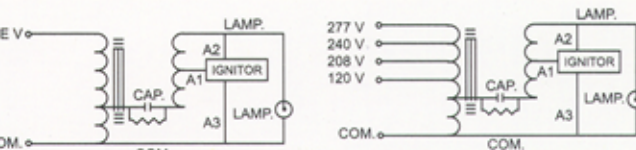
(3" x 4" CORE)



SOLA ballast leads wires are properly identified indicating on their surfaces the input voltages. ALL LEAD LENGTHS: 12 INCHES

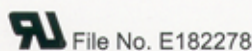
ELECTRICAL CHARACTERISTICS

| | |
|---------------------|-------|
| INPUT VOLTAGE RANGE | ±10% |
| POWER FACTOR | HIGH |
| LAMP POWER REG. | ±10% |
| MIN. STARTING TEMP. | -40°C |



SINGLE VOLTAGE

MULTI VOLTAGE
120/208/240/277
VOLT CONNECTION



| Line Voltage | Catalog Number | Circuit Type | Input Watts | Line Current (AMPS) | | | Open Circuit Voltage | Drop Out Voltage | Fuse | Ballast Net Weight (lbs) | UL Bench Top Rise Code 1029 |
|--------------|----------------|--------------|-------------|---------------------|--------------|----------|----------------------|------------------|------|--------------------------|-----------------------------|
| | | | | Operating | Open Circuit | Starting | | | | | |
| 120 | E-971-F-SO150 | CWA | 185 | 1.6 | 0.8 | 1.02 | 110 | 70 | 5 | 9.25 | B |
| 208 | E-971-R-SO150 | CWA | 185 | 0.925 | 0.47 | 0.59 | 110 | 120 | 3 | 9.25 | A |
| 240 | E-971-M-SO150 | CWA | 185 | 0.8 | 0.41 | 0.505 | 110 | 140 | 3 | 9.25 | A |
| 277 | E-971-T-SO150 | CWA | 185 | 0.7 | 0.36 | 0.45 | 110 | 160 | 3 | 9.25 | A |
| 480 | E-971-DD-SO150 | CWA | 185 | 0.4 | 0.20 | 0.27 | 110 | 260 | 1 | 9.25 | B |
| 120 or | E-971-W-SO150 | CWA | 185 | 1.6 | 0.8 | 1.02 | 110 | 70 | 5 | 9.25 | B |
| 208 or | | CWA | 185 | 0.925 | 0.47 | 0.59 | 110 | 120 | 3 | 9.25 | |
| 240 or | | CWA | 185 | 0.8 | 0.41 | 0.505 | 110 | 140 | 3 | 9.25 | |
| 277 | | CWA | 185 | 0.7 | 0.36 | 0.45 | 110 | 160 | 3 | 9.25 | |

ORDERING INFORMATION

***Add proper suffix to catalog number when ordering as indicated below:
No suffix= Core and Coil and Ignitor Only
B= Core and Coil, Ignitor and Bracket
C= Core and Coil, Ignitor and Capacitor
BC= Core and Coil, Ignitor, Capacitor and Bracket

Lighting & Power Source
2707 Realty Road, Suite 110
Carrollton, TX 75006
(888) 385-4448 Fax: (972) 418-5858
www.ballastsource.com
ISB@solaballast.com

