

TECHNICAL SPECIFICATION SHEET

1000 WATT, HPS S52 CWA
BALLAST E-971-XX-SO1000 60Hz

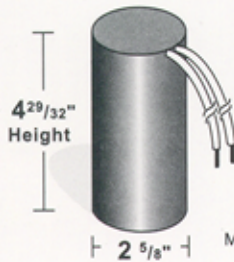
CAPACITOR

RATING 26 MFD±3%
525 VAC, MIN

Dry Film Capacitors
Thermal Plastic Case

Dry film capacitor contains
no oil; are furnished
with 12" leads and
includes discharge
resistor.

Max. case temp. 110°C

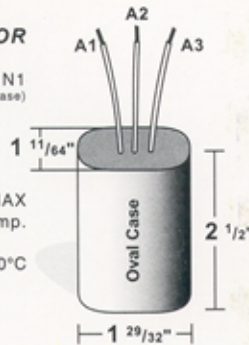


IGNITOR

37-90-AS-13.1 N1
(Thermal Plastic Case)

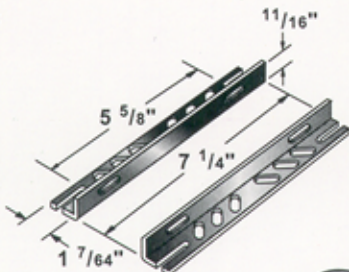
2 FT. MAX
Distance to lamp.

Max. case temp. 110°C



BRACKET

CORE & COIL
MOUNTING BRACKET



KB47
Mounting bracket for
Core & Coil Ballasts
(2 brackets with thru bolts)

C-01

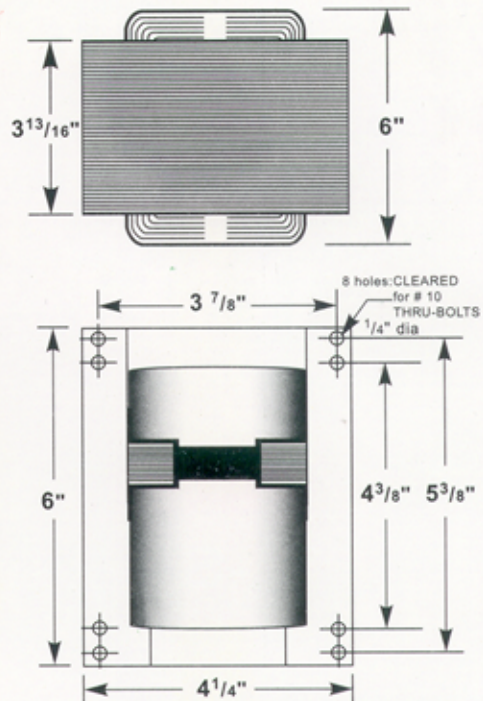
MOUNTING CLIP for round
case (Furnished as standard
with B suffix ballasts)

I-01

MOUNTING CLIP for oval case
(Furnished as standard with B
suffix ballasts)

CORE AND COIL

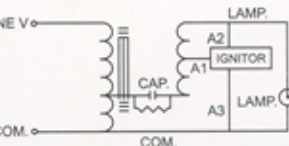
(4 1/4" x 6" CORE)



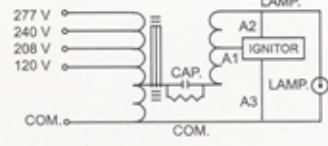
SOLA ballast leads wires are properly identified indicating
on their surfaces the input voltages. ALL LEAD LENGTHS:
12 INCHES

ELECTRICAL CHARACTERISTICS

INPUT VOLTAGE RANGE	±10%
POWER FACTOR	HIGH
LAMP POWER REG.	±10%
MIN. STARTING TEMP.	-40°C



SINGLE VOLTAGE



MULTI VOLTAGE
120/208/240/277
VOLT CONNECTION

Line Voltage	Catalog Number	Circuit Type	Input Watts	Line Current (AMPS)			Open Circuit Voltage	Drop Out Voltage	Fuse	Ballast Net Weight (lbs)	UL Bench Top Rise Code 1029
				Operating	Open Circuit	Starting					
120	E-971-F-SO1000	CWA	1100	9.5	4.81	7.6	435	90	25	29	D
208	E-971-R-SO1000	CWA	1100	5.5	3.0	4.3	435	155	15	29	D
240	E-971-M-SO1000	CWA	1100	4.8	2.6	3.75	435	180	10	29	D
277	E-971-T-SO1000	CWA	1100	4.1	2.2	3.27	435	208	10	29	D
480	E-971-DD-SO1000	CWA	1100	2.4	1.4	1.87	435	360	8	29	D
120 or	E-971-W-SO1000	CWA	1100	9.5	4.81	7.6	435	90	25	29	D
208 or		CWA	1100	5.5	3.0	4.3	435	155	15	29	
240 or		CWA	1100	4.8	2.6	3.75	435	180	10	29	
277		CWA	1100	4.1	2.2	3.27	435	208	10	29	

ORDERING INFORMATION

***Add proper suffix to catalog number when ordering as indicated below:
No suffix= Core and Coil and Ignitor Only
B= Core and Coil, Ignitor and Bracket
C= Core and Coil, Ignitor and Capacitor
BC= Core and Coil, Ignitor, Capacitor and Bracket

Lighting & Power Source
2707 Realty Road, Suite 110
Carrollton, TX 75006
(888) 385-4448 Fax: (972) 418-5858
www.ballastsource.com
ISB@solaballast.com

ISB SOLA BASIC
BALLASTS