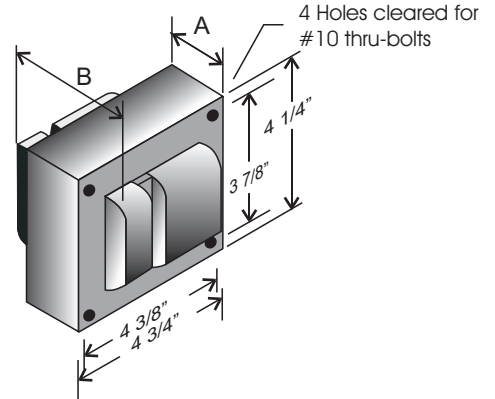


CATALOG NUMBER: E-871-WDD-411 FOR ONE 400 WATT, M59 METAL HALIDE LAMP

Line Voltage	120/208/240/277/480 V
Regulation	
Line Volts	+/-10%
Line Watts	+/-10%
Frequency	60 Hz
Circuit Type	CWA
Power Factor (min)	90%
Insulation Class	H(180°)
Min. Ambient Starting Temp.	-20° F or -30° C

4 1/4" x 4 3/4" CORE



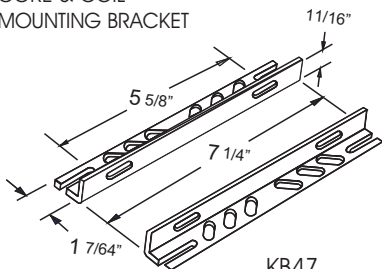
CORE AND COIL

Dimension A (inches)	2.20
Dimension B (inches)	4.20
Weight (lbs)	14
Lead Lengths (inches)	12

Line Voltage (Volts)	120	208	240	277	480	
Line Current (Amps)						
Operating	4.0	2.3	2.0	1.70	1.0	
Open Circuit	3.15	2.10	1.60	1.38	0.80	
Starting	3.20	1.90	1.60	1.38	0.80	
Input Watts (W)	458	458	458	458	458	
Open Circuit Voltage (V)	300	300	300	300	300	
Drop Out Voltage	60	104	120	140	240	
UL(1029) Bench Top Rise	A	A	B	B	C	
Recommended Fuse (Amps)	10	7	5	5	3	
HIGH POTENTIAL TEST (VOLTS)						
1 Minute	2000					
2 Seconds	2500					
Open Circuit Voltage Test (volts)	278-335					
Short-Circuit Current Test (Amps)						
Secondary Current	3.70 - 4.35					
Input Current		2.90 - 3.30	1.65 - 1.95	1.45 - 1.65	1.32 - 1.45	0.65 - 0.85

BRACKET

CORE & COIL
MOUNTING BRACKET

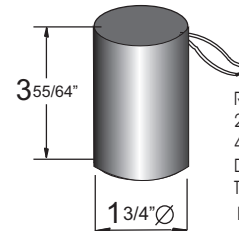


KB47
Mounting bracket for
Core & Coil Ballasts
(2 brackets with thru bolts)



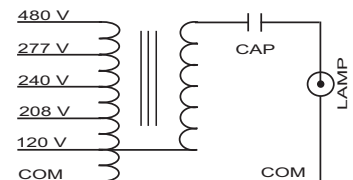
C-01
MOUNTING CLIP for round case (Furnished as standard with B suffix ballast)

CAPACITOR



RATING
24 Mfd ± 3%
400 VAC MIN
Dry Film Capacitor
Thermal Plastic Case
Max. Case Temp 100° C

WIRING DIAGRAM



MULTI VOLTAGE
120/208/240/277/480 VOLT CONNECTION

ORDERING INFORMATION

*** Add proper suffix to catalog number when ordering as indicated below:
No suffix = Core and Coil Only
B = Core and Coil, and Bracket
C = Core and Coil, and Capacitor
BC = Core and Coil, Capacitor and Bracket

Data is based upon tests performed by Industrias Sola Basic in a controlled environment and representative of relative performance. Actual Performance can vary depending on operating conditions. Specifications are subject to change without notice.

Made in Mexico by Industrias Sola Basic S.A de C.V.

H03



Lighting & Power Source LP.
2707 Realty Road, Suite 110
Carrollton, TX 75006 USA
Tel: (972) 416-4500
Fax: (972) 418-5858