

ISB SOLA BASIC®



CERT. No.006281



REV: "A"

FLUORESCENT BALLAST SPECIFICATIONS

DESCRIPTION

CATALOG E-758-U-332	TYPE Electronic	STARTING METHOD Instant Start	NUMBER OF LAMPS 2 or 3	LAMP TYPE F17T8, F25T8, F32T8, F32T8/U
-------------------------------	---------------------------	----------------------------------	---------------------------	-------------------------------------------

ELECTRICAL CHARACTERISTICS

INPUT VOLTAGE 120-277v +/- 10%	LAMP WATTS 17/25/32/31w	INPUT WATTS 84w	INPUT CURRENT 0.705/0.305A	OCV 590v	PF >0.95	FREQUENCY 50/60 Hz	SOUND RATED A
MIN START TEMP 32°F/0°C	CLASS P	TYPE 1 outdoor	BALLAST FACTOR 0.88	BEF 1.04	THD (1) <15%	NO PCB'S	

(1) THD <25 FOR 2-F17T8

PHYSICAL CHARACTERISTICS

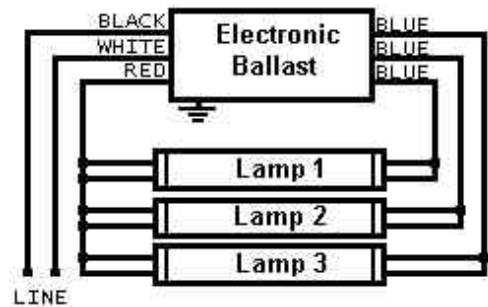
	CASE DIMENSIONS						
	UNITS	M1	M2	M3	W	L	H
	INCHES	1.687	8.906	8.344	2.375	9.500	1.500
	TOL(+/-)	0.010	0.010	0.010	0.050	0.050	0.050
	MM	43	226	212	60	241	38
	TOL(+/-)	0.25	0.25	0.25	1.30	1.30	1.30
	LEAD LENGTH						
	UNITS	BLACK	WHITE	RED	BLUE	BLUE	BLUE
	INCHES	22	22	46	26	26	26
	TOL(+/-)	3/8	3/8	3/8	3/8	3/8	3/8
MM	559	559	1168	660	660	660	
TOL(+/-)	10	10	10	10	10	10	

CARTON CHARACTERISTICS

UNITS/CARTON 10	CARTONS/LAYER 12	# OF LAYERS 9	UNITS/PALLET 1080	PIECE WEIGHT 2.1 lbs	CARTON WEIGHT 22 lbs	PALLET WEIGHT 2,453 lbs
CARTONS/PALLET 108	CARTON DIMENSIONS 12" x 12" x 4"	PALLET DIMENSIONS 40" x 48" x 7"	PALLET DIMENSIONS LOADED, INCLUDING WOOD PALLET 40" x 48" x 44"			

CARTON LABEL

ELECTRICAL DIAGRAM



UNSLATE UNUSED LEAD FOR 1000 V

PRODUCT LABEL

<p>SOLA</p>			
<p>UNIVERSAL VOLTAGE 120/277V- 0.705/0.305A 590 OCV 50/60 Hz</p> <p>FOR 2 OR 3 LAMP F32T8 OR F32T8/U OR F25T8 OR F17T8</p> <p>SOUND RATED A</p> <p>5 YEAR WARRANTY</p>	<p>INSTANT START ELECTRONIC BALLAST E-758-U-332 HIGH POWER FACTOR</p> <p>MINIMUM 0°C MADE IN MEXICO</p>	<p>GROUND BALLAST CASE MOUNT LAMPS WITHIN 3/4" OF GROUNDED METAL REFLECTOR. INSTALL IN ACCORDANCE WITH NATIONAL AND LOCAL ELECTRICAL CODES</p>	<p>CLASS P INHERENT THERMAL PROTECTION</p> <p>TYPE 1 OUTDOOR</p> <p>CAUTION: HAZARDOUS VOLTAGE BEFORE REPLACING OR REPAIRING INSULATE UNUSED LEAD FOR 1000V</p>

Lighting and Power Source
2707 Realty Road, Suite 110
Carrollton, TX 75006
Tel: (888) 385-4448
Fax: (972) 418-5858

FGGI-05-57/00